

FIGURE 1:
STANDBY GENERATOR
FOR ENTIRE LOAD

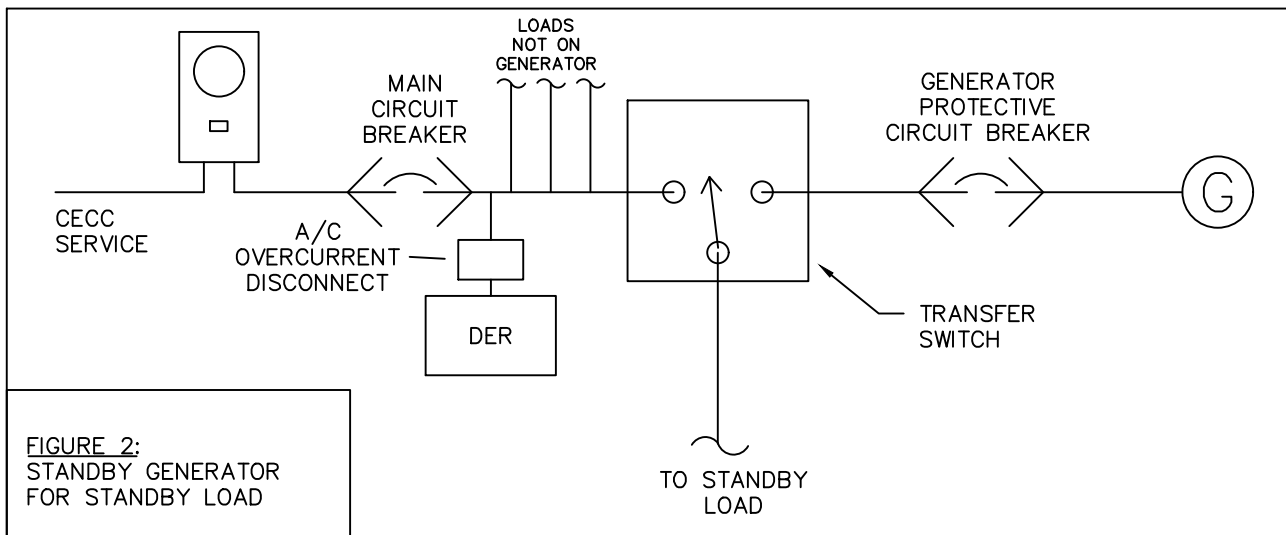


FIGURE 2:
STANDBY GENERATOR
FOR STANDBY LOAD

NOTES:

1. The above one-line schematics outline the connections CECC will allow for the interconnection of DER and stand-by generation equipment. The intent of the interconnection schematics is to prevent back-feed onto the CECC electric distribution system and provide a safe working environment for CECC members and employees.
2. Figure 1 represents the connection for the generator to supply the entire load (entire house).
3. Figure 2 represents the connection to the generator to supply standby load.
4. Contact CECC at 1-800-432-9720 if further directions are needed.
5. No taps allowed on source side of main breaker.
6. See DER interconnection agreement for additional requirements.

DESIGN PARAMETERS:



Carroll Electric
Cooperative Corporation
YOUR LOCAL ENERGY PARTNER

DISTRIBUTED ENERGY RESOURCE AND
STANDBY GENERATOR INTERCONNECTION
GUIDE

Issue: 2020
Revision: A

GEN.DER